



Business Machines



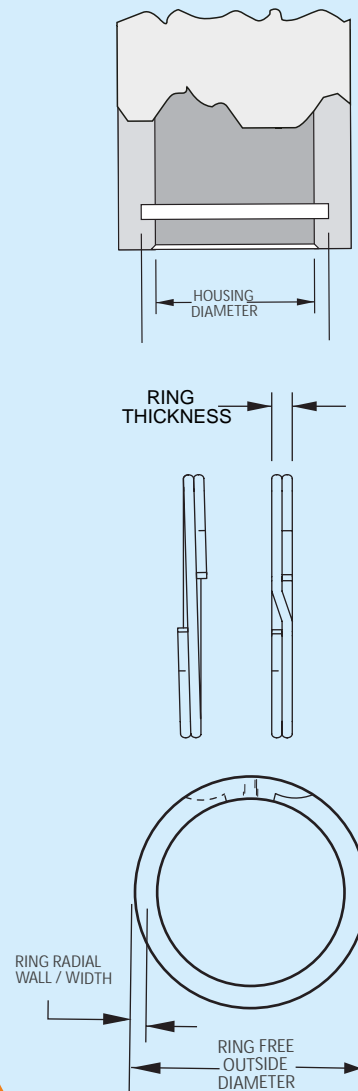
SNAP RINGS - INTERNAL (SRI) (Aerospace Rings)

Part Number	Housing Diameter	RING		
		Diameter	Width	Thickness
BM-SRI-0012	12.00	12.890	1.14	0.60
BM-SRI-0013	13.00	13.950	1.14	0.89
BM-SRI-0014	14.00	15.070	1.40	0.89
BM-SRI-0015	15.00	16.140	1.40	0.89
BM-SRI-0016	16.00	17.150	1.40	0.89
BM-SRI-0017	17.00	18.320	1.65	0.89
BM-SRI-0018	18.00	19.390	1.65	0.89
BM-SRI-0019	19.00	20.480	1.65	0.89
BM-SRI-0020	20.00	21.510	1.91	0.89
BM-SRI-0021	21.00	22.560	1.91	0.89
BM-SRI-0022	22.00	23.650	1.91	1.07
BM-SRI-0023	23.00	24.690	2.16	1.07
BM-SRI-0024	24.00	25.730	2.16	1.07
BM-SRI-0025	25.00	27.030	2.16	1.07
BM-SRI-0026	26.00	28.070	2.16	1.07
BM-SRI-0027	27.00	29.110	2.64	1.27
BM-SRI-0028	28.00	30.100	2.64	1.27
BM-SRI-0029	29.00	31.210	2.64	1.27
BM-SRI-0030	30.00	32.280	2.64	1.27
BM-SRI-0031	31.00	33.320	2.64	1.27
BM-SRI-0032	32.00	34.230	2.64	1.27
BM-SRI-0034	34.00	36.460	3.00	1.27
BM-SRI-0035	35.00	37.550	3.00	1.27
BM-SRI-0036	36.00	38.680	3.00	1.27
BM-SRI-0037	37.00	39.600	3.00	1.27
BM-SRI-0038	38.00	40.770	3.00	1.27
BM-SRI-0040	40.00	42.910	3.25	1.57
BM-SRI-0042	42.00	45.010	3.25	1.57
BM-SRI-0045	45.00	48.130	3.25	1.57
BM-SRI-0046	46.00	49.280	3.25	1.57

Stock items available in carbon steel, stainless steel and copper.

Product Dimensions

All dimensions in millimeters



B

M

P

R

O

D

U

C

T

L

I

S

T

SNAP RINGS - INTERNAL (SRI) (Aerospace Rings)



B

M

P

R

O

D

U

C

T

L

I

S

T

Part Number	Housing Diameter	RING			Part Number	Housing Diameter	RING		
		Diameter	Width	Thickness			Diameter	Width	Thickness
BM-SRI-0047	47.00	50.320	4.01	1.57	BM-SRI-0100	100.00	103.830	5.28	1.55
BM-SRI-0048	48.00	51.460	4.01	1.57	BM-SRI-0102	102.00	106.000	5.54	1.55
BM-SRI-0050	50.00	53.660	4.01	1.57	BM-SRI-0105	105.00	109.000	5.54	1.55
BM-SRI-0052	52.00	54.300	3.25	1.25	BM-SRI-0108	108.00	112.220	5.79	1.55
BM-SRI-0053	53.00	55.320	3.25	1.25	BM-SRI-0110	110.00	114.250	5.79	1.55
BM-SRI-0055	55.00	57.380	3.51	1.25	BM-SRI-0112	112.00	116.440	6.05	1.55
BM-SRI-0056	56.00	58.400	3.51	1.25	BM-SRI-0115	115.00	119.440	6.05	1.55
BM-SRI-0058	58.00	60.430	3.51	1.25	BM-SRI-0120	120.00	124.540	6.35	1.83
BM-SRI-0059	59.00	61.540	3.51	1.25	BM-SRI-0125	125.00	129.590	6.35	1.83
BM-SRI-0060	60.00	62.570	3.51	1.25	BM-SRI-0130	130.00	134.710	6.35	1.83
BM-SRI-0061	61.00	63.650	3.81	1.25	BM-SRI-0135	135.00	139.740	6.35	1.83
BM-SRI-0062	62.00	64.700	3.81	1.25	BM-SRI-0140	140.00	144.870	6.35	1.83
BM-SRI-0063	63.00	65.700	3.81	1.25	BM-SRI-0145	145.00	150.040	6.35	1.83
BM-SRI-0064	64.00	66.770	3.81	1.25	BM-SRI-0150	150.00	155.070	6.35	1.83
BM-SRI-0065	65.00	67.820	3.81	1.25	BM-SRI-0155	155.00	160.720	7.92	2.18
BM-SRI-0066	66.00	68.800	3.81	1.25	BM-SRI-0160	160.00	165.740	7.92	2.18
BM-SRI-0067	67.00	69.900	3.81	1.25	BM-SRI-0165	165.00	170.770	7.92	2.18
BM-SRI-0068	68.00	70.940	4.01	1.25	BM-SRI-0170	170.00	176.050	7.92	2.18
BM-SRI-0069	69.00	71.940	4.01	1.25	BM-SRI-0175	175.00	181.050	7.92	2.18
BM-SRI-0070	70.00	72.940	4.01	1.25	BM-SRI-0180	180.00	186.380	7.92	2.18
BM-SRI-0071	71.00	73.990	4.01	1.25	BM-SRI-0185	185.00	191.100	7.92	2.18
BM-SRI-0072	72.00	75.040	4.27	1.25	BM-SRI-0190	190.00	196.450	7.92	2.18
BM-SRI-0075	75.00	78.070	4.27	1.25	BM-SRI-0195	195.00	201.740	7.92	2.18
BM-SRI-0078	78.00	81.210	4.27	1.55	BM-SRI-0200	200.00	206.760	7.92	2.18
BM-SRI-0080	80.00	83.220	4.52	1.55	BM-SRI-0210	210.00	217.100	9.53	2.18
BM-SRI-0082	82.00	85.280	4.52	1.55	BM-SRI-0220	220.00	227.400	9.53	2.18
BM-SRI-0085	85.00	88.380	4.78	1.55	BM-SRI-0230	230.00	237.730	9.53	2.18
BM-SRI-0088	88.00	91.450	4.78	1.55	BM-SRI-0240	240.00	247.800	9.53	2.18
BM-SRI-0090	90.00	93.580	5.03	1.55	BM-SRI-0250	250.00	258.100	9.53	2.18
BM-SRI-0092	92.00	95.660	5.03	1.55	BM-SRI-0260	260.00	268.430	9.53	2.18
BM-SRI-0095	95.00	98.690	5.03	1.55	BM-SRI-0270	270.00	278.500	9.53	2.18
BM-SRI-0098	98.00	101.830	5.28	1.55	BM-SRI-0280	280.00	288.820	9.53	2.18

Stock items available in carbon steel, stainless steel and copper.

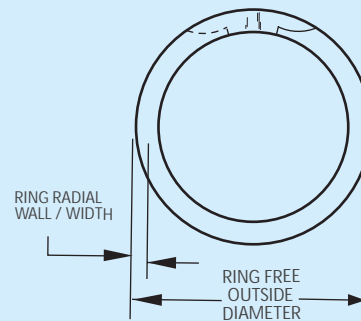
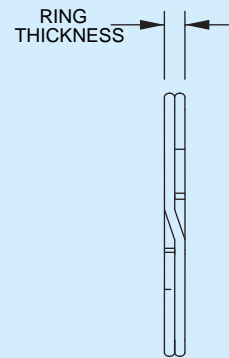
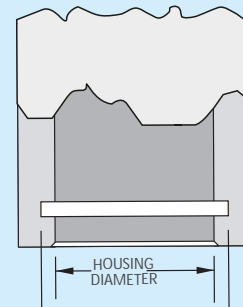


SNAP RINGS - INTERNAL DIN (SRID)

Part Number	Housing Diameter	RING		
		Diameter	Width	Thickness
BM-SRID-0013	13.00	13.720	1.40	0.99
BM-SRID-0014	14.00	14.750	1.40	0.99
BM-SRID-0015	15.00	15.850	1.40	0.99
BM-SRID-0016	16.00	16.970	1.65	0.99
BM-SRID-0017	17.00	17.980	1.65	0.99
BM-SRID-0018	18.00	19.180	1.91	0.99
BM-SRID-0019	19.00	20.190	1.91	0.99
BM-SRID-0020	20.00	21.210	1.91	0.99
BM-SRID-0021	21.00	22.230	1.91	0.99
BM-SRID-0022	22.00	23.230	1.91	0.99
BM-SRID-0023	23.00	24.330	2.18	1.14
BM-SRID-0024	24.00	25.450	2.18	1.14
BM-SRID-0025	25.00	26.450	2.18	1.14
BM-SRID-0026	26.00	27.480	2.18	1.14
BM-SRID-0027	27.00	28.680	2.41	1.14
BM-SRID-0028	28.00	29.690	2.41	1.14
BM-SRID-0029	29.00	30.710	2.41	1.14
BM-SRID-0030	30.00	31.710	2.41	1.14
BM-SRID-0031	31.00	33.020	2.41	1.14
BM-SRID-0032	32.00	34.040	2.41	1.14
BM-SRID-0033	33.00	35.050	2.41	1.14
BM-SRID-0034	34.00	36.070	3.25	1.44
BM-SRID-0035	35.00	37.380	3.25	1.44
BM-SRID-0036	36.00	38.390	3.25	1.44
BM-SRID-0037	37.00	39.400	3.25	1.44
BM-SRID-0038	38.00	40.410	3.25	1.44
BM-SRID-0040	40.00	42.930	4.01	1.69
BM-SRID-0041	41.00	43.940	4.01	1.69
BM-SRID-0042	42.00	44.960	4.01	1.69
BM-SRID-0045	45.00	47.980	4.01	1.69
BM-SRID-0047	47.00	49.990	4.01	1.69
BM-SRID-0048	48.00	51.000	4.01	1.69
BM-SRID-0050	50.00	53.540	5.08	1.93
BM-SRID-0051	51.00	54.540	5.08	1.93
BM-SRID-0052	52.00	55.550	5.08	1.93

Product Dimensions

All dimensions in millimeters



Stock items available in carbon steel, stainless steel and copper.

B

M

P

R

O

D

U

C

T

L

I

S

T

SNAP RINGS - INTERNAL DIN (SRID)



B

M

P

R

O

D

U

C

T

L

I

S

T

Part Number	Housing Diameter	RING			Part Number	Housing Diameter	RING		
		Diameter	Width	Thickness			Diameter	Width	Thickness
BM-SRID-0055	55.00	58.570	5.08	1.93	BM-SRID-0135	135.00	140.030	6.73	3.89
BM-SRID-0056	56.00	59.590	5.08	1.93	BM-SRID-0140	140.00	145.110	6.73	3.89
BM-SRID-0057	57.00	60.600	5.08	1.93	BM-SRID-0145	145.00	150.110	6.73	3.89
BM-SRID-0058	58.00	61.620	5.08	1.93	BM-SRID-0150	150.00	156.130	7.92	3.89
BM-SRID-0060	60.00	63.630	5.08	1.93	BM-SRID-0155	155.00	161.190	7.92	3.89
BM-SRID-0062	62.00	65.660	5.08	1.93	BM-SRID-0160	160.00	166.220	7.92	3.89
BM-SRID-0063	63.00	66.670	5.08	1.93	BM-SRID-0165	165.00	171.270	7.92	3.89
BM-SRID-0064	64.00	67.670	5.08	1.93	BM-SRID-0170	170.00	176.330	7.92	3.89
BM-SRID-0065	65.00	68.670	5.08	2.41	BM-SRID-0175	175.00	181.360	7.92	3.89
BM-SRID-0067	67.00	70.670	5.08	2.41	BM-SRID-0180	180.00	186.390	7.92	3.89
BM-SRID-0068	68.00	71.670	5.08	2.41	BM-SRID-0185	185.00	191.440	7.92	3.89
BM-SRID-0070	70.00	73.670	5.08	2.41	BM-SRID-0190	190.00	196.470	7.92	3.89
BM-SRID-0072	72.00	75.670	5.08	2.41	BM-SRID-0195	195.00	201.520	7.92	3.89
BM-SRID-0075	75.00	78.680	5.08	2.41	BM-SRID-0200	200.00	206.580	7.92	3.89
BM-SRID-0076	76.00	79.680	5.08	2.41	BM-SRID-0210	210.00	217.580	9.53	4.86
BM-SRID-0078	78.00	81.690	5.08	2.41	BM-SRID-0220	220.00	227.660	9.53	4.86
BM-SRID-0080	80.00	84.190	6.05	2.41	BM-SRID-0230	230.00	237.720	9.53	4.86
BM-SRID-0082	82.00	86.200	6.05	2.41	BM-SRID-0240	240.00	247.800	9.53	4.86
BM-SRID-0085	85.00	89.200	6.05	2.91	BM-SRID-0250	250.00	257.890	9.53	4.86
BM-SRID-0088	88.00	92.210	6.05	2.91	BM-SRID-0260	260.00	269.930	11.18	4.86
BM-SRID-0090	90.00	94.210	6.05	2.91	BM-SRID-0270	270.00	280.010	11.18	4.86
BM-SRID-0092	92.00	96.220	6.05	2.91	BM-SRID-0280	280.00	290.090	11.18	4.86
BM-SRID-0095	95.00	99.240	6.05	2.91	BM-SRID-0290	290.00	300.150	11.18	4.86
BM-SRID-0098	98.00	102.260	6.05	2.91	BM-SRID-0300	300.00	310.240	11.18	4.86
BM-SRID-0100	100.00	104.290	6.05	2.91	BM-SRID-0310	310.00	322.250	12.70	5.87
BM-SRID-0102	102.00	106.790	6.73	3.89	BM-SRID-0320	320.00	332.330	12.70	5.87
BM-SRID-0105	105.00	109.790	6.73	3.89	BM-SRID-0330	330.00	342.420	12.70	5.87
BM-SRID-0108	108.00	112.800	6.73	3.89	BM-SRID-0340	340.00	352.500	12.70	5.87
BM-SRID-0110	110.00	114.830	6.73	3.89	BM-SRID-0350	350.00	362.560	12.70	5.87
BM-SRID-0112	112.00	116.840	6.73	3.89	BM-SRID-0360	360.00	372.640	12.70	5.87
BM-SRID-0115	115.00	119.860	6.73	3.89	BM-SRID-0370	370.00	382.730	12.70	5.87
BM-SRID-0120	120.00	124.920	6.73	3.89	BM-SRID-0380	380.00	392.790	12.70	5.87
BM-SRID-0125	125.00	129.970	6.73	3.89	BM-SRID-0390	390.00	402.840	12.70	5.87
BM-SRID-0127	127.00	131.970	6.73	3.89	BM-SRID-0400	400.00	412.930	12.70	5.87
BM-SRID-0130	130.00	135.000	6.73	3.89					

Stock items available in carbon steel, stainless steel and copper.

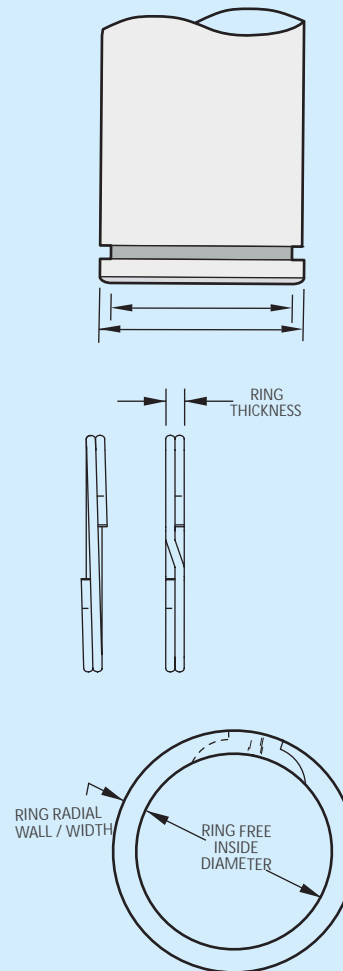


SNAP RINGS - EXTERNAL (SRE) (Aerospace Rings)

Part Number	Shaft Diameter	Inner Diameter	Width	Thickness
BM-SRE-0012	12.00	11.180	1.14	0.60
BM-SRE-0013	13.00	12.130	1.27	0.89
BM-SRE-0014	14.00	13.060	1.27	0.89
BM-SRE-0015	15.00	13.980	1.27	0.89
BM-SRE-0016	16.00	14.900	1.40	0.89
BM-SRE-0017	17.00	15.820	1.40	0.89
BM-SRE-0018	18.00	16.800	1.65	1.07
BM-SRE-0019	19.00	17.730	1.65	1.07
BM-SRE-0020	20.00	18.620	1.65	1.07
BM-SRE-0021	21.00	19.570	1.65	1.07
BM-SRE-0022	22.00	20.450	1.91	1.07
BM-SRE-0023	23.00	21.390	1.91	1.07
BM-SRE-0024	24.00	22.350	1.91	1.07
BM-SRE-0025	25.00	23.250	2.16	1.07
BM-SRE-0026	26.00	24.210	2.16	1.07
BM-SRE-0027	27.00	25.040	2.64	1.27
BM-SRE-0028	28.00	26.000	2.64	1.27
BM-SRE-0029	29.00	26.950	2.64	1.27
BM-SRE-0030	30.00	27.920	2.64	1.27
BM-SRE-0031	31.00	28.840	2.64	1.27
BM-SRE-0032	32.00	29.770	2.64	1.27
BM-SRE-0034	34.00	31.540	3.00	1.27
BM-SRE-0035	35.00	32.440	3.00	1.27
BM-SRE-0036	36.00	33.400	3.00	1.27
BM-SRE-0037	37.00	34.240	3.00	1.27
BM-SRE-0038	38.00	35.180	3.00	1.27
BM-SRE-0040	40.00	37.150	3.25	1.57
BM-SRE-0042	42.00	39.020	3.25	1.57
BM-SRE-0045	45.00	41.770	3.25	1.57
BM-SRE-0046	46.00	42.670	3.25	1.57
BM-SRE-0047	47.00	43.810	4.01	1.57
BM-SRE-0048	48.00	44.480	4.01	1.57
BM-SRE-0050	50.00	46.690	4.01	1.57

Product Dimensions

All dimensions in millimeters



Stock items available in carbon steel, stainless steel and copper.

B

M

P

R

O

D

U

C

T

L

I

S

T

SNAP RINGS - EXTERNAL (SRE) (Aerospace Rings)



B

M

P

R

O

D

U

C

T

L

I

S

T

Part Number	Shaft Diameter	Inner Diameter	Width	Thickness	Part Number	Shaft Diameter	Inner Diameter	Width	Thickness
BM-SRE-0052	52.00	49.620	3.25	1.25	BM-SRE-0105	105.00	100.940	5.54	1.55
BM-SRE-0053	53.00	50.620	3.25	1.25	BM-SRE-0110	110.00	105.750	5.79	1.55
BM-SRE-0054	54.00	51.620	3.25	1.25	BM-SRE-0115	115.00	110.590	6.05	1.55
BM-SRE-0055	55.00	52.620	3.51	1.25	BM-SRE-0120	120.00	115.490	6.35	1.83
BM-SRE-0056	56.00	53.620	3.51	1.25	BM-SRE-0125	125.00	120.440	6.35	1.83
BM-SRE-0058	58.00	55.430	3.51	1.25	BM-SRE-0130	130.00	125.340	6.35	1.83
BM-SRE-0059	59.00	56.430	3.51	1.25	BM-SRE-0135	135.00	130.200	6.35	1.83
BM-SRE-0060	60.00	57.430	3.51	1.25	BM-SRE-0140	140.00	135.140	6.35	1.83
BM-SRE-0061	61.00	58.360	3.51	1.25	BM-SRE-0145	145.00	140.000	6.35	1.83
BM-SRE-0062	62.00	59.300	3.76	1.25	BM-SRE-0150	150.00	145.000	6.35	1.83
BM-SRE-0063	63.00	60.300	3.76	1.25	BM-SRE-0155	155.00	149.330	7.92	2.18
BM-SRE-0064	64.00	61.250	3.76	1.25	BM-SRE-0160	160.00	154.310	7.92	2.18
BM-SRE-0065	65.00	62.200	3.76	1.25	BM-SRE-0165	165.00	159.230	7.92	2.18
BM-SRE-0066	66.00	63.160	3.76	1.25	BM-SRE-0170	170.00	164.000	7.92	2.18
BM-SRE-0067	67.00	64.160	3.76	1.25	BM-SRE-0175	175.00	169.000	7.92	2.18
BM-SRE-0068	68.00	65.080	4.01	1.25	BM-SRE-0180	180.00	173.780	7.92	2.18
BM-SRE-0069	69.00	66.060	4.01	1.25	BM-SRE-0185	185.00	178.700	7.92	2.18
BM-SRE-0070	70.00	67.080	4.01	1.25	BM-SRE-0190	190.00	183.700	7.92	2.18
BM-SRE-0071	71.00	68.040	4.01	1.25	BM-SRE-0195	195.00	188.430	7.92	2.18
BM-SRE-0072	72.00	69.000	4.27	1.25	BM-SRE-0200	200.00	193.430	7.92	2.18
BM-SRE-0075	75.00	71.930	4.27	1.25	BM-SRE-0210	210.00	202.930	9.53	2.18
BM-SRE-0078	78.00	74.840	4.27	1.55	BM-SRE-0220	220.00	212.650	9.53	2.18
BM-SRE-0080	80.00	76.800	4.52	1.55	BM-SRE-0230	230.00	222.600	9.53	2.18
BM-SRE-0082	82.00	78.720	4.52	1.55	BM-SRE-0240	240.00	232.320	9.53	2.18
BM-SRE-0085	85.00	81.620	4.78	1.55	BM-SRE-0250	250.00	241.830	9.53	2.18
BM-SRE-0088	88.00	84.530	4.78	1.55	BM-SRE-0260	260.00	251.570	9.53	2.18
BM-SRE-0090	90.00	86.430	5.03	1.55	BM-SRE-0270	270.00	261.300	9.53	2.18
BM-SRE-0095	95.00	91.370	5.03	1.55	BM-SRE-0280	280.00	271.040	9.53	2.18
BM-SRE-0100	100.00	96.100	5.28	1.55					

Stock items available in carbon steel, stainless steel and copper.

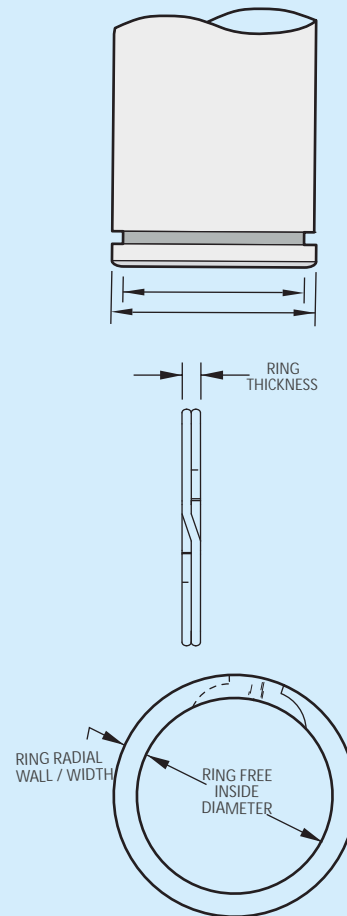


SNAP RINGS - EXTERNAL DIN (SRED)

Part Number	Shaft Diameter	Inner Diameter	Width	Thickness
BM-SRED-0013	13.00	12.270	1.40	0.99
BM-SRED-0014	14.00	13.260	1.40	0.99
BM-SRED-0015	15.00	14.150	1.40	0.99
BM-SRED-0016	16.00	15.040	1.65	0.99
BM-SRED-0017	17.00	16.040	1.65	0.99
BM-SRED-0018	18.00	16.830	1.91	1.14
BM-SRED-0019	19.00	17.830	1.91	1.14
BM-SRED-0020	20.00	18.820	1.91	1.14
BM-SRED-0021	21.00	19.790	1.91	1.14
BM-SRED-0022	22.00	20.780	1.91	1.14
BM-SRED-0023	23.00	21.770	1.91	1.14
BM-SRED-0024	24.00	22.660	2.18	1.14
BM-SRED-0025	25.00	23.650	2.18	1.14
BM-SRED-0026	26.00	24.640	2.18	1.14
BM-SRED-0027	27.00	25.340	2.18	1.14
BM-SRED-0028	28.00	26.340	2.39	1.44
BM-SRED-0029	29.00	27.330	2.39	1.44
BM-SRED-0030	30.00	28.320	2.39	1.44
BM-SRED-0032	32.00	30.000	3.25	1.44
BM-SRED-0033	33.00	30.990	3.25	1.44
BM-SRED-0034	34.00	31.980	3.25	1.44
BM-SRED-0035	35.00	32.660	3.25	1.44
BM-SRED-0036	36.00	33.650	4.01	1.69
BM-SRED-0038	38.00	35.640	4.01	1.69
BM-SRED-0040	40.00	37.110	4.01	1.69
BM-SRED-0042	42.00	39.090	4.01	1.69
BM-SRED-0045	45.00	42.060	4.01	1.69
BM-SRED-0046	46.00	43.050	4.01	1.69
BM-SRED-0047	47.00	44.040	4.01	1.69
BM-SRED-0048	48.00	45.030	4.01	1.69
BM-SRED-0050	50.00	46.530	5.08	1.93
BM-SRED-0052	52.00	48.510	5.08	1.93
BM-SRED-0054	54.00	50.500	5.08	1.93

Product Dimensions

All dimensions in millimeters



Stock items available in carbon steel, stainless steel and copper.

B

M

P

R

O

D

U

C

T

L

I

S

T

SNAP RINGS - EXTERNAL DIN (SRED)



B

M

P

R

O

D

U

C

T

L

I

S

T

Part Number	Shaft Diameter	Inner Diameter	Width	Thickness	Part Number	Shaft Diameter	Inner Diameter	Width	Thickness
BM-SRED-0055	55.00	51.490	5.08	1.93	BM-SRED-0150	150.00	143.910	7.92	3.89
BM-SRED-0056	56.00	52.480	5.08	1.93	BM-SRED-0155	155.00	148.890	7.92	3.89
BM-SRED-0058	58.00	54.430	5.08	1.93	BM-SRED-0160	160.00	153.850	7.92	3.89
BM-SRED-0060	60.00	56.420	5.08	1.93	BM-SRED-0165	165.00	158.800	7.92	3.89
BM-SRED-0062	62.00	58.420	5.08	1.93	BM-SRED-0170	170.00	163.750	7.92	3.89
BM-SRED-0063	63.00	59.390	5.08	1.93	BM-SRED-0175	175.00	168.730	7.92	3.89
BM-SRED-0065	65.00	61.390	5.08	2.41	BM-SRED-0180	180.00	173.690	7.92	3.89
BM-SRED-0067	67.00	63.370	5.08	2.41	BM-SRED-0185	185.00	178.660	7.92	3.89
BM-SRED-0068	68.00	64.340	5.08	2.41	BM-SRED-0190	190.00	183.590	7.92	3.89
BM-SRED-0070	70.00	66.340	5.08	2.41	BM-SRED-0195	195.00	188.540	7.92	3.89
BM-SRED-0072	72.00	68.330	5.08	2.41	BM-SRED-0200	200.00	193.540	7.92	3.89
BM-SRED-0075	75.00	71.330	5.08	2.41	BM-SRED-0205	205.00	197.540	11.18	4.86
BM-SRED-0077	77.00	73.330	5.08	2.41	BM-SRED-0210	210.00	202.540	11.18	4.86
BM-SRED-0078	78.00	74.330	5.08	2.41	BM-SRED-0220	220.00	212.470	11.18	4.86
BM-SRED-0080	80.00	75.810	6.05	2.41	BM-SRED-0230	230.00	222.400	11.18	4.86
BM-SRED-0082	82.00	77.810	6.05	2.41	BM-SRED-0240	240.00	232.330	11.18	4.86
BM-SRED-0085	85.00	80.800	6.35	2.91	BM-SRED-0250	250.00	242.240	11.18	4.86
BM-SRED-0088	88.00	83.800	6.35	2.91	BM-SRED-0260	260.00	250.190	12.70	4.86
BM-SRED-0090	90.00	85.800	6.35	2.91	BM-SRED-0270	270.00	260.150	12.70	4.86
BM-SRED-0095	95.00	90.800	6.35	2.91	BM-SRED-0280	280.00	270.080	12.70	4.86
BM-SRED-0098	98.00	93.790	6.35	2.91	BM-SRED-0290	290.00	279.980	12.70	4.86
BM-SRED-0100	100.00	95.790	6.35	2.91	BM-SRED-0300	300.00	289.920	12.70	4.86
BM-SRED-0102	102.00	97.290	6.73	3.89	BM-SRED-0310	310.00	297.840	15.88	5.87
BM-SRED-0105	105.00	100.280	6.73	3.89	BM-SRED-0320	320.00	307.840	15.88	5.87
BM-SRED-0108	108.00	103.250	6.73	3.89	BM-SRED-0330	330.00	317.750	15.88	5.87
BM-SRED-0110	110.00	105.230	6.73	3.89	BM-SRED-0340	340.00	327.690	15.88	5.87
BM-SRED-0115	115.00	110.190	6.73	3.89	BM-SRED-0350	350.00	337.640	15.88	5.87
BM-SRED-0120	120.00	115.160	6.73	3.89	BM-SRED-0360	360.00	347.570	15.88	5.87
BM-SRED-0125	125.00	120.120	6.73	3.89	BM-SRED-0370	370.00	357.480	15.88	5.87
BM-SRED-0130	130.00	125.070	6.73	3.89	BM-SRED-0380	380.00	367.410	15.88	5.87
BM-SRED-0135	135.00	130.020	6.73	3.89	BM-SRED-0390	390.00	377.340	15.88	5.87
BM-SRED-0140	140.00	134.980	6.73	3.89	BM-SRED-0400	400.00	387.250	15.88	5.87
BM-SRED-0145	145.00	139.930	6.73	3.89					

Stock items available in carbon steel, stainless steel and copper.



PRODUCTS

- *standard and specialized*



INDUSTRY APPLICATIONS

- *never the limit*



MATERIAL & FINISHES

- *no compromise*



QUALITY

- *that you can trust*



BM ADVANTAGES

- *life long...unlimited*

www.businessmachines.in

Business Machines

6, Chintamani Industrial Estate,
Ramtekdi Industrial Area, Hadapsar,
Pune - 411013 (Maharashtra, India)
Mobile : +91-9823096219 / 9881338762
9623625197 / 9890093910
Email: sales@businessmachines.in